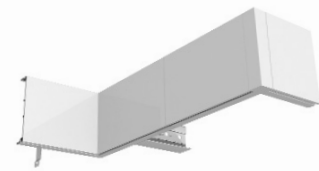
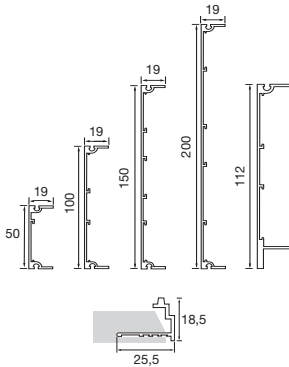


AXIOM PROFILES



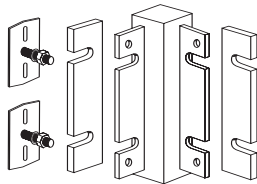
Available in 5 heights with a plasterboard trim section, Axiom Profiles are compatible with Trulok 24 mm and 15 mm grid systems including designer grid.

Axiom Profiles

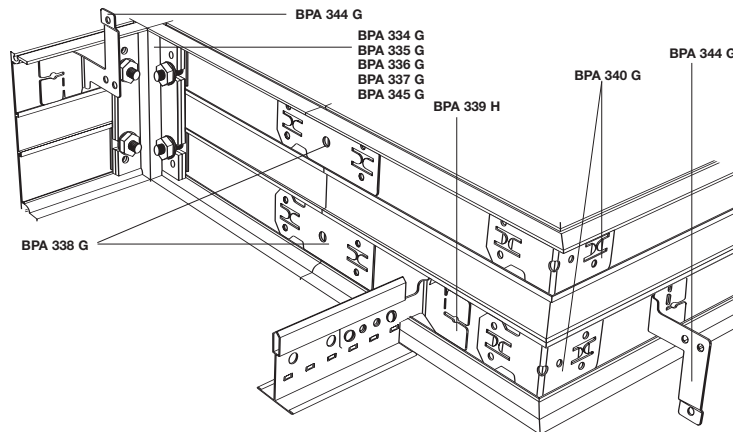


Item Nr.	Description	Dimensions		Content / Carton		Weight / Carton kg	Cartons / Pallet
		length (mm)	height (mm)	pcs	lm		
BP 52 42 06 G ⁽¹⁾	Axiom Profiles 50 mm	3000	50	5	15,00	7,80	60
BP 54 42 06 G ⁽¹⁾	Axiom Profiles 100 mm	3000	100	5	15,00	11,20	36
BP 56 42 06 G ⁽¹⁾	Axiom Profiles 150 mm	3000	150	5	15,00	14,70	30
BP 58 42 06 G ⁽¹⁾	Axiom Profiles 200 mm	3000	200	5	15,00	17,80	24
BP 55 14 11 G ⁽¹⁾	Axiom Vector Profiles 112 mm	3000	112	5	15,00	12,20	15
BPT 3213 H ⁽¹⁾	Profile plasterboard trim	3000	18,5	10	30,00	5,80	36

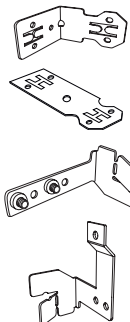
Accessories for Axiom Profiles



Item Nr.	Description	Dimensions height (mm)	Content / Carton pcs	Weight / Carton kg
BPA 334 G ⁽¹⁾	Axiom Profiles corner post 50 mm	50	2	0,30
BPA 335 G ⁽¹⁾	Axiom Profiles corner post 100 mm	100	2	0,50
BPA 336 G ⁽¹⁾	Axiom Profiles corner post 150 mm	150	2	0,70
BPA 337 G ⁽¹⁾	Axiom Profiles corner post 200 mm	200	2	0,90
BPA 345 G ⁽¹⁾	Axiom Vector corner post 112 mm	112	2	0,60



Accessories for Axiom Profiles



BPA 340 G	Axiom universal corner clip	100	2,10
BPA 338 G	Axiom universal splice plate	100	2,10
BPA 339 H	Axiom universal T-bar connector clip	100	2,10
BPA 344 G	Axiom universal hanging clip	100	2,10

(1) Also available in colour RAL 9010 (WR)

UNITED KINGDOM / REPUBLIC OF IRELAND

Armstrong World Industries Ltd.

Building Products Division

Armstrong House

38 Market Square

Uxbridge UB8 1NG

Tel : 0800 371849 (UK)

1800 409002 (ROI)

Fax : +44 (0) 1895 274287

e-mail : sales-support@armstrong.com

www.armstrong-ceilings.co.uk

www.armstrong-ceilings.ie

www.armstrong.eu

